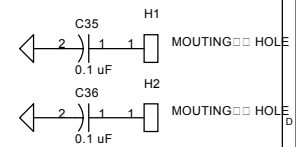
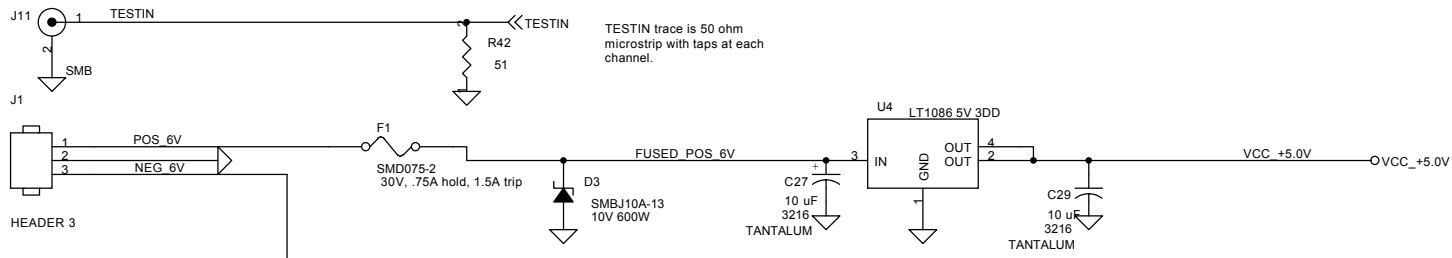
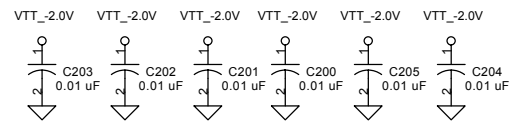
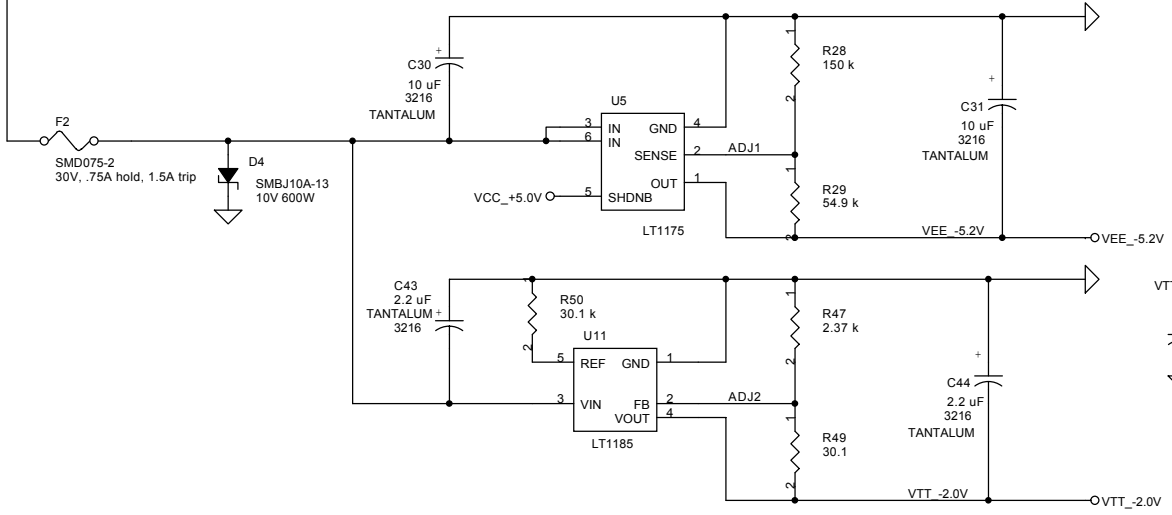


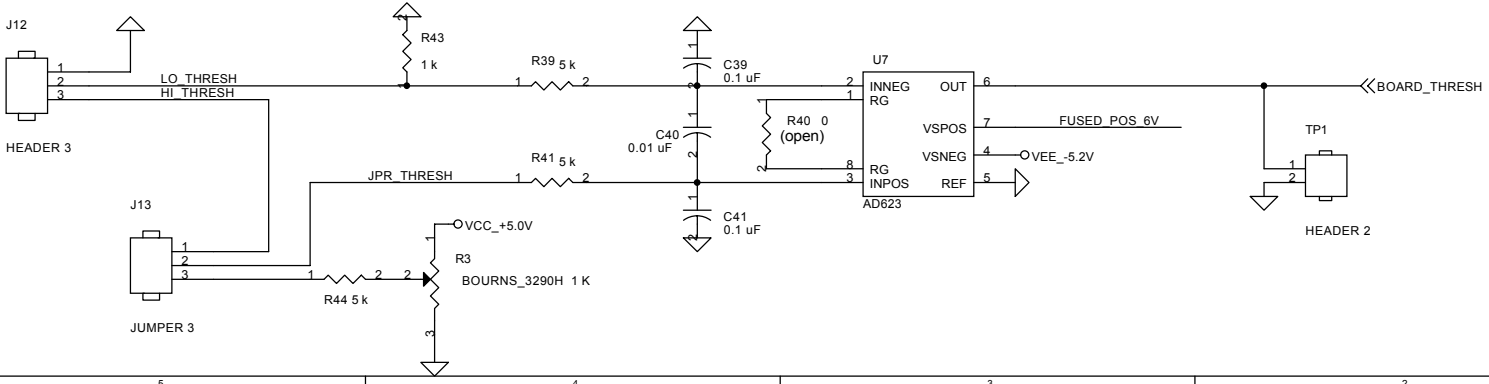
Title		
CHANNEL 1		
Size	Document Number	Rev
B	AMPDIS6	1
Date:	Wednesday, June 18, 2003	Sheet 1 of 7



TESTIN trace is 50 ohm microstrip with taps at each channel.



Decoupling caps for -2.0 V supply added as ECO on solder side of board.



Mounting holes isolated from board ground, but attached to chassis ground.

Title		
COMMON CIRCUITRY		
Size	Document Number	Rev
B	AMPDIS6 - REV 0	0
Date:	Wednesday, July 25, 2001	Sheet 7 of 7